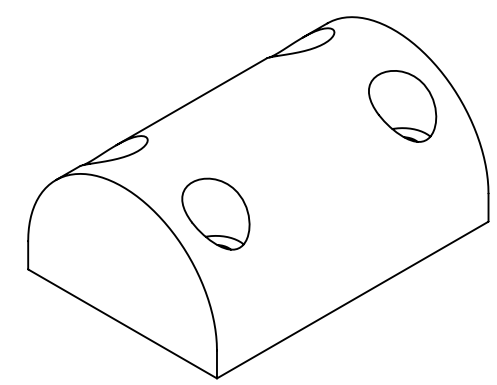
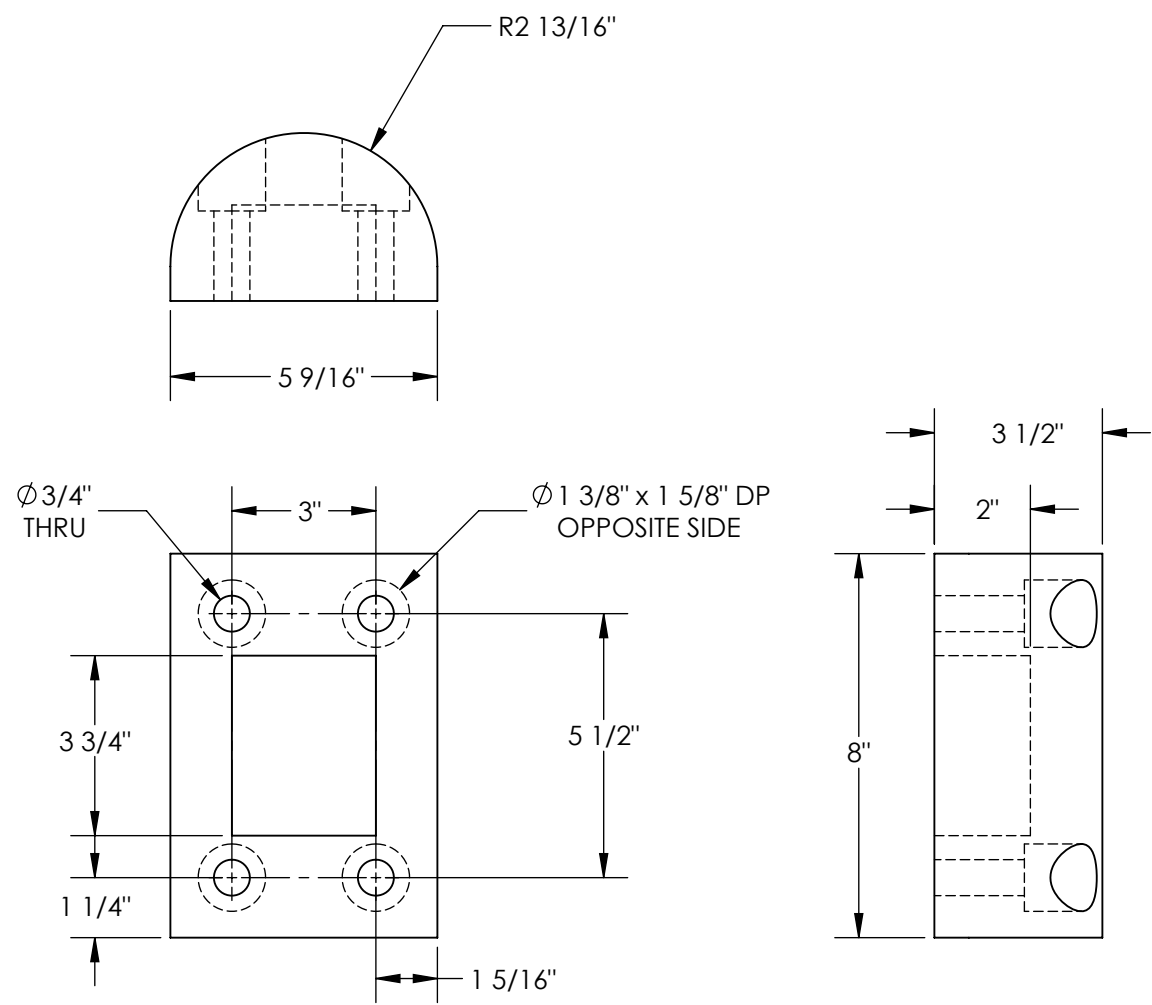


TRAILER CRANE BUMPER-TB-90

APPROX WEIGHT: 6 LBS lbs.
 DOES NOT INCLUDE WEIGHT OF POWER OR PACKAGING!!!

*** ANY ADDITIONS, DELETIONS, OR OMISSIONS MUST BE CORRECTED ON THIS DRAWING AS THIS DRAWING WILL BE CONSIDERED ALL INCLUSIVE ***

ALL GRAPHICS PROVIDED ARE FOR REFERENCE ONLY. IF CERTAIN DIMENSIONS ARE CRITICAL PLEASE VERIFY THOSE DIMENSIONS WITH YOUR SALESPERSON



DIMENSION TOLERANCE $\pm 1/4$ "

STANDARD FEATURES

MODEL NUMBER IS TB-90
 OVERALL WIDTH IS $5 \frac{9}{16}$ "
 OVERALL LENGTH IS 8 "
 PROJECTION $3 \frac{1}{2}$ "
 COUNTERSUNK FOR
 $\phi 5/8$ " ANCHOR BOLTS
 RESISTANT TO: FRICTION, ABRASION,
 IMPACT DAMAGE, WEAR, CORROSION
 AND WEATHER DAMAGE
 CAN BE USED INDOOR OR OUTDOOR

SPECIAL FEATURES

NONE

APPROVAL

I, THE UNDERSIGNED, AGREE THAT THE PRODUCT AS REPRESENTED SATISFIES DESIGN AND DIMENSION REQUIREMENTS. I ALSO ACKNOWLEDGE MY DUTY TO CONFIRM PRODUCT AND INSTALLATION COMPLIANCE WITH ALL APPLICABLE FEDERAL, STATE AND LOCAL REGULATIONS AND STANDARDS.

ALL SPECIAL UNITS ARE NON-RETURNABLE

[] As drawn [] As marked

Signed: _____ Date: _____

LEAD TIME WILL START UPON RECEIPT OF SIGNED APPROVAL DRAWING

DISTRIBUTOR'S NAME:		P.O.#
VESTIL MANUFACTURING		X
DRAWN BY: NWS		DATE: 1/22/13
REFERENCE: X		SALES: X
QUOTED LEAD TIME: X		SCALE: 1:4
QUOTE # X		FILE NAME: 29-007-209